

LED3 "Silent Light"

THE LED COLD LIGHT SOURCE FOR ANY APPLICATION

More light, less heat



The LED3 cold light source: a cost-effective, energy-saving alternative to a conventional 150W halogen light source, with superior brightness output.

Passively cooled, completely vibration and noise free making it ideal for clean room applications. It provides optimum, homogeneous illumination delivered by a variety of interchangeable light guide options. Available with colour temperatures of 3000k, 4000k, 5700k (daylight) and 5700K with higher CRI (Colour Rendering Index) value. Optimised electronics ensure flicker-free light, making it the ideal light source ideal for any application.

KEY-FEATURES

- Ideal replacement for 150 W halogen light sources
- Passive cooling - vibration and noise free
- Consistent output no lamp replacement
- Connect most light guides with range of adapters
- Stackable and tiltable
- Flicker-free light
- Very high luminous flux
- Brightness adjustable from 0 - 100%
- Robust aluminium housing

**MADE
IN
GERMANY**



LED3 "Silent Light"

THE LED COLD LIGHT SOURCE FOR ANY APPLICATION

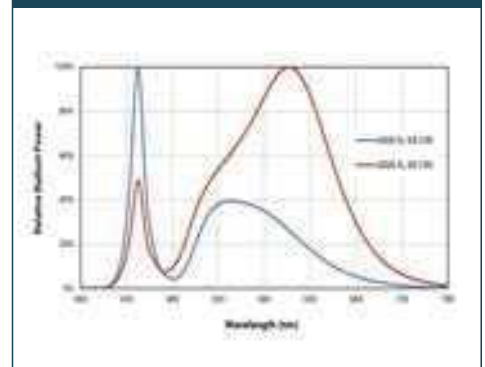
TECHNICAL DATA

Optics

Illuminants	High Power LED
Risk group	2
Active Ø light guide	max. 11 mm
Colour temperature	see product variants ¹⁾
Colour rendering index	see product variants ²⁾
Luminous flux	see product variants ³⁾

Measured with a StarLight Opto-Electronics fiber optic light guide with an active diameter of 9 mm and L=1000 mm

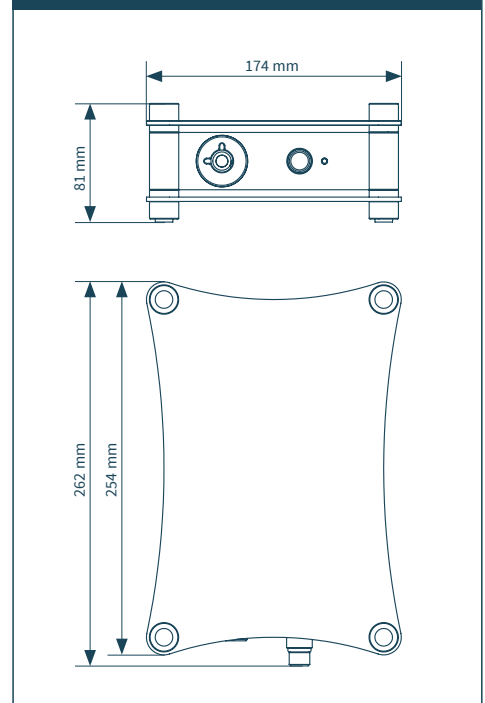
Spectral curve



Electrics

Power consumption	approx. 36 W
Input power supply	100 - 240 V AC, 50/60 Hz
Output power supply	15 V DC, 2,4 A
Protection class	II
Temperature range	5° - 40°
LED service life	50.000h (L70, according to manufacturer's specification) 70% of the original luminous flux is guaranteed after the specified operating hours

Dimension drawing



Mechanics

IP Rating	IP20
Weight	approx. 3,7 kg
Dimension (L x W x H)	262 mm x 174 mm x 81 mm
Colour	Grey and orange
Material	Anodized aluminium
Light guide access	Standard Ø 15 mm

LED3 "Silent Light"

THE LED COLD LIGHT SOURCE FOR ANY APPLICATION

PRODUCT VARIATIONS

100-010055	LED3-P	5.700 K ¹⁾ , CRI 70 typ. ²⁾ , ca. 730 lm ³⁾
100-010056	LED3-PC	5.700 K ¹⁾ , CRI 90 typ. ²⁾ , ca. 590 lm ³⁾
100-010057	LED3-NW	4.000 K ¹⁾ , CRI 80 typ. ²⁾ , ca. 630 lm ³⁾
100-010058	LED3-WW	3.000 K ¹⁾ , CRI 80 typ. ²⁾ , ca. 630 lm ³⁾

ACCESORIES

100-006343	Adapter	for Schott fibre optic light guides 10 + 12 mm Find a large selection of fibre optic lightguides in our online shop at shop.starlight-oe.com . Please contact us for custom solutions tailored to your specific application.
------------	---------	--

SCOPE OF DELIVERY

1 pc	LED cold light source LED3
1 pc	15 V multiadapter power supply (EU, UK, US)
1 pc	Operating manual

SHIPPING INFORMATION

HS-Code	94054139
Country of origin	Germany

QUALITY MANAGEMENT

QM System	To safeguard our services, we maintain a certified quality management system that meets the current requirements of the ISO 9001: 2015 standard. Reg. No.: 313713QM15.
EC Conformity	Our products are manufactured in accordance with the European Directive 2001/95/EC (CE).